

2020

Cosmetic Container Manufacturer

DOOCO

Design, Originality, Opportunity
for Cosmetic package

CEO Message

We always try to satisfy our customers.

DOOCO has been devoted to customer satisfaction by seeking to develop the best products, quality and innovative new products. We are small but a strong company. It has ceaselessly advanced since its establishment in 1996.

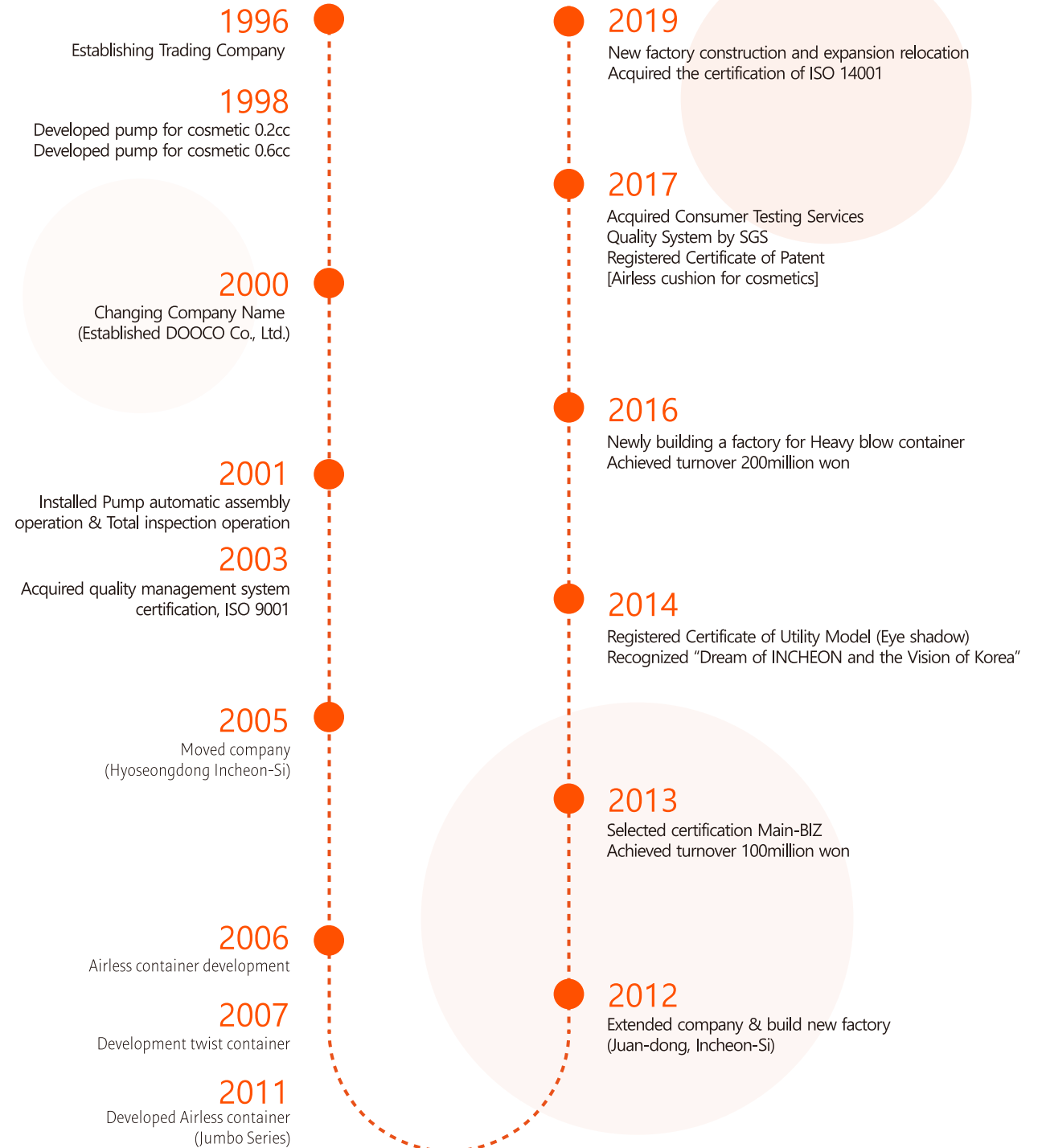
We are making the best products that satisfy customers with original and innovative product development and thorough quality control in the field of cosmetic container, airless pump, airless container and variety color cosmetic. We are focusing on domestic and international cosmetics market with our belief.

We will try to realize to be content for the customer, every year with various patent applications and design registration. We will reach our customers with the best quality and technology.

Thank you very much

President Byung - Sun, Min.

HISTORY



C CONTENTS

Airless Series

- Single Wall Airless page 06-14
- Double Wall Airless - PP/PPR page 15-23
- Mini & Junbo Line page 24-35

Color Cosmetic

- Airless & Airtight Compact page 36-42
- Point & Lip page 43-45

DOOCO Cosmetic

- Stick Line page 46-49
- Cream Jar Line page 50-53
- Tube Line page 54-57
- Bottle Series Design page 58-75
- Dispensers page 76-82



IMAGE D33 Regular Pump Series (Shoulder Type)

AIRLESS SERIES



IMAGE D06 Double Wall Airless

D01

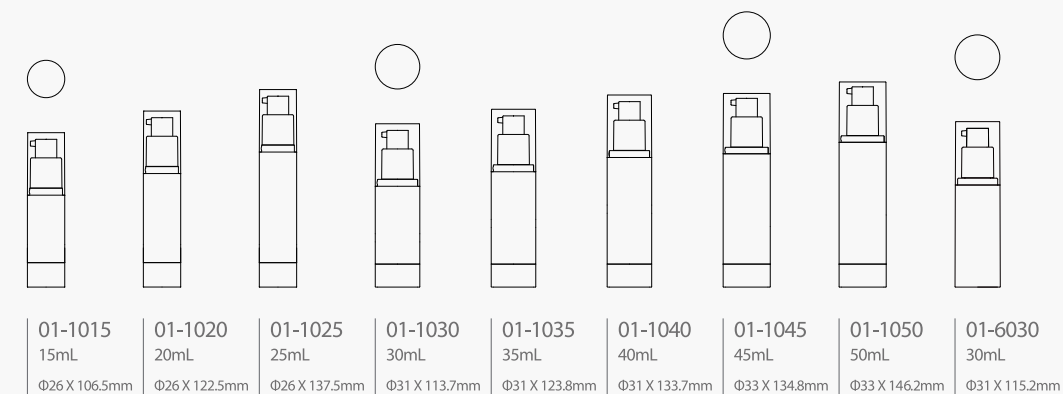
Regular Pump Series (Straight)

One of the most popular design

Various appearances can be created with broad range of decoration options.



IMAGE D01 Regular Pump Series



Part Material • Over Cap : SAN/ABS/PN • Shoulder : PP/AL • Bottle : SAN • Base : ABS

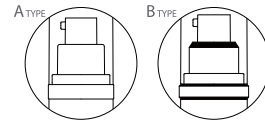
D01

Regular Pump Series (Shoulder Type A/B)

As a most classis design,

Various apperances can be created with board range of decoration options

Three types of bases and a wide range of size options can be selectable depends on rquirements.



01-2130 30mL Φ31 X 121mm	01-2015 15mL Φ26 X 115mm	01-2020 20mL Φ26 X 130mm	01-2025 25mL Φ26 X 145mm	01-2030 30mL Φ31 X 121mm	01-2035 35mL Φ31 X 131mm	01-2040 40mL Φ31 X 141mm	01-2045 45mL Φ33 X 143.5mm	01-2050 50mL Φ33 X 151.5mm

Part Material • Over Cap : SAN /ABS / PN • Pump Cover : ABS • Bottle : SAN • Base : ABS

D01

Regular Pump Series (PP-D)

Various pump and bottle designs,

Various apperances can be created with broad range of decoration options.



01-4015 15mL Φ32 X 87mm	01-4030 30mL Φ32 X 116mm	01-4050 50mL Φ33 X 145mm

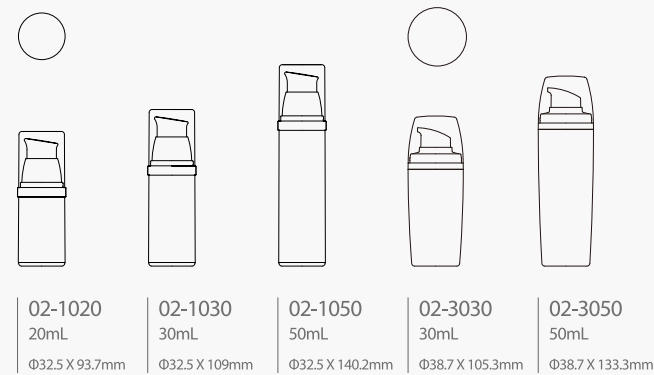
Part Material • Over Cap : PN • Button : PP • Shoulder : PP/AL • Bottle : PP • Base : ABS

D02

Regular Pump Series (PP-A, PPR)

Most common but essential containers in cosmetics.

From the simple and basic finish to the sophisticate design, wide range of options are available.



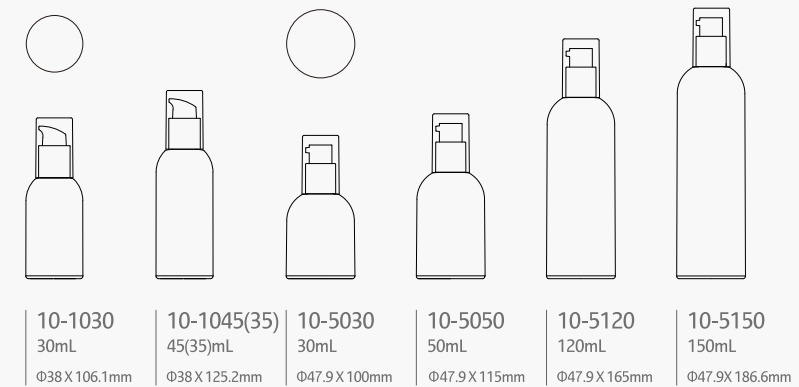
Part Material • Over Cap : PP • Shoulder : PP • Bottle : PP • Button : PP

D10

Glass Series (Original)

Various pump and bottle designs,

Various appearances can be created with broad range of decoration options.

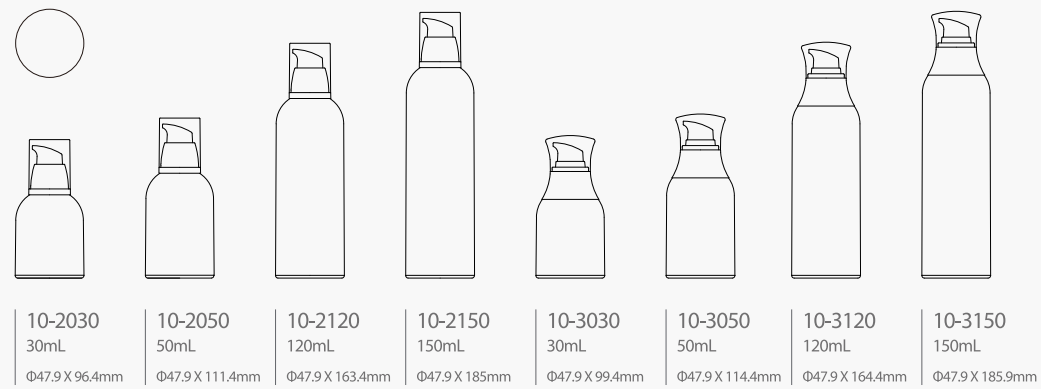


Part Material • Over Cap : SAN/PN • Shoulder : PP/AL • Bottle : SAN/PN • Button : PP/AL • Base : ABS

D10

Glass Series (New Original)

New Ecofriendly concept of cosmetic containers to fine tune your brand offering.



Part Material • Over Cap: PN • Shoulder: ABS • Bottle: SAN/PN • Button: PP • Base: ABS



IMAGE D06 GL Series (Double/For Man)

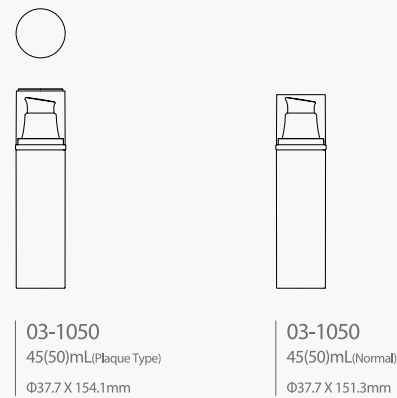
D03

Regular Pump Series (Double-A / Plaque Type)

As a most classic design,

Various appearances can be created with board range of decoration options

Two types of bases and a wide range of size options can be selectable depends on requirements.



Part Material • Over Cap : PN • Shoulder : ABS • Bottle : SAN • Inner Bottle : PP

D04

Regular Pump Series (Single/Double)

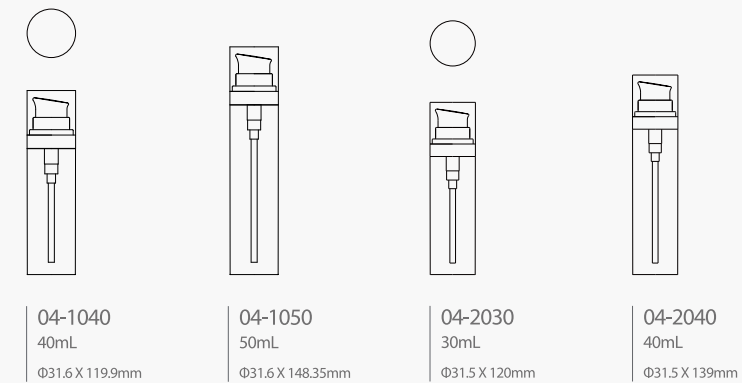
Most common but essential containers in cosmetics.

From the simple and basic finish to the sophisticated design, wide range of options are available.



- Regular Pump Series (Single) -

- Regular Pump Series (Double) -



Part Material • Over Cap : PN • Shoulder : PN • Inner Bottle : PP • Out Bottle : SAN

D05

Regular Pump Series (New Twist-2)

OVERCAP-LESS

Dual structure airless bottle!

This design offers stylish and professional image to the product.

With the thin base, this line various decoration options.



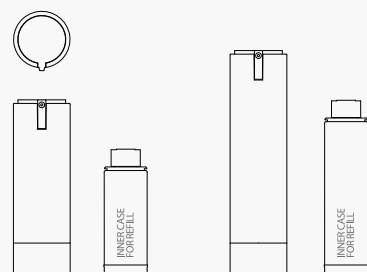
- Refill Bottle -

D05

Regular Pump Series (Twist-3)

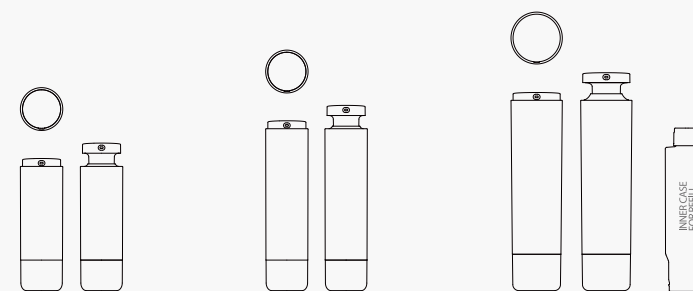


- Refill Bottle -



05-1030
30mL
Φ39.5 X 120mm

05-1050
50mL
Φ39.5 X 155mm



05-3030
30mL
Φ 39 X 120mm

05-3050
50mL
Φ 39 X 155mm

05-3130
130mL
Φ 47 X 180mm

Part Material • Button : ASA • Out Bottle : ABS • Inner Bottle : PP • Base : ABS

Part Material • Button : PP/PN • Out Bottle : PN • Inner Bottle : PETG • Base : ABS

D06

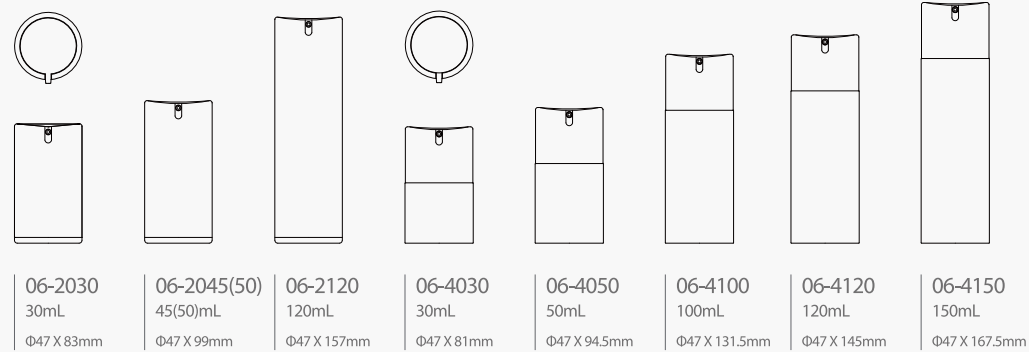
GL Series (Double / For Man)

OVERCAP-LESS

Dual structure airless bottle!

This design offers stylish and professional image to the product.

With the thin base, this line various decoration options.



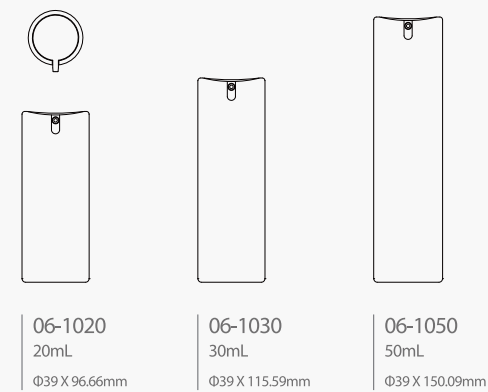
Part Material • Button : ASA • Shoulder : ABS • Bottle : SAN/ABS/PP • Base : ABS/PP

D06

GL Series (GL Essence)

Take advantage of a wide range of options for creating as unmistakable look.

Exclusively young and dynamic - in design, form, colour and finish.

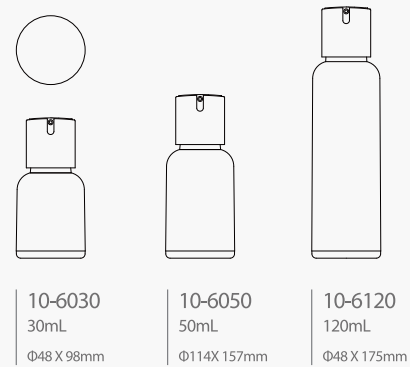


Part Material • Button : ASA • Inner Cap : PP • Inner Base : PP • Out Bottle : PN

D10

Glass Series (Double)

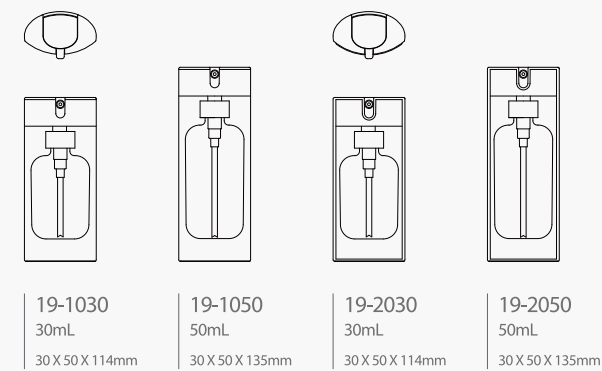
Classical glass-shaped skincare line including airless systems and blow moulded bottle.



Part Material • Botton Cover : ABS • Button: PP • Shoulder : ABS • Bottle : SAN • Inner Bottle : PP • Base : ABS

D19

Blow Pouch (Regular / Plaque Type)



Part Material • Shoulder : ABS • Out Bottle : ABS • Inner Bottle : PE

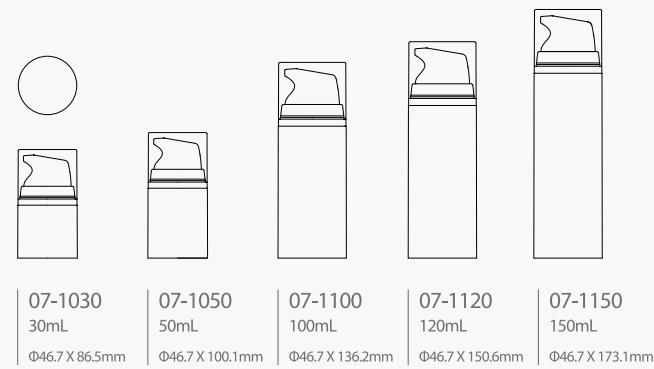
MINI & JUMBO LINE



D07

JUMBO Series (Single Type)

Various shapes and size for jumbo containers.

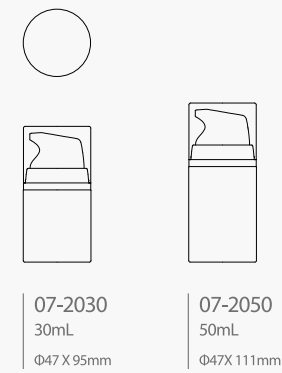


Part Material • Over Cap : PP/ABS/PN • Shoulder : PP • Bottle : PP • Base : PP • Button : PP

D07

JUMBO Series (Double Type)

Various shapes and size for jumbo containers.



Part Material • Button : PP • Over Cap : PN/PP/ABS • Shoulder : PP • Out Bottle : SAN • Inner Bottle : PP


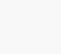



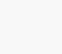
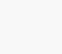
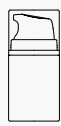



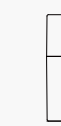

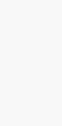
D07

N JUMBO Series

Take advantage of a wide range of options for creating unmistakable look.



- EL Type -

						
						
07-3015 15mL Φ35.5 X 77.3mm	07-3030 30mL Φ35.5 X 97.5mm	07-3050 50mL Φ35.5 X 127.3mm	07-3100 100mL Φ47 X 145mm	07-4015 15mL Φ35.5 X 75.4mm	07-4030 30mL Φ35.5 X 95.6mm	07-4050 50mL Φ35.5 X 125.4mm







Part Material • Over Cap : PP • Shoulder : ABS • Button : ASA • Bottle : PP

D07

JUMBO Series

Take advantage of a wide range of options for creating unmistakable look.



		
		
07-7100 100mL Φ47 X 144mm	07-7120 120mL Φ47 X 160mm	07-7150 150mL Φ47 X 181mm

Part Material • Over Cap : PN • Button : PP • Shoulder : PP • Bottle : PN

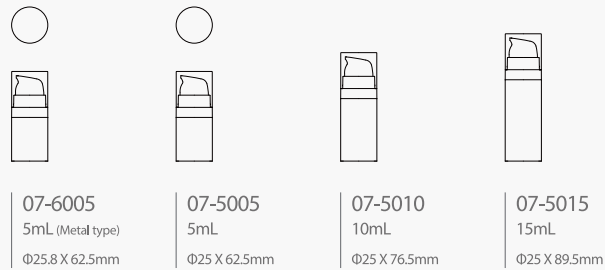
D07

MINI JUMBO Series (PP)

Take advantage of a wide range of options for creating unmistakable look.



METAL TYPE

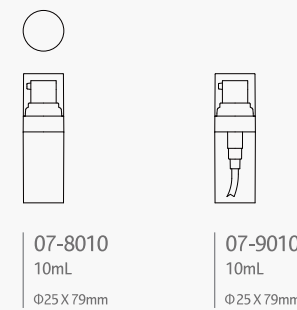


Part Material • Button : PP • Over Cap : PP • Shoulder : PP • Bottle : PP

D07

MINI JUMBO Series (PN)

Take advantage of a wide range of options for creating unmistakable look.

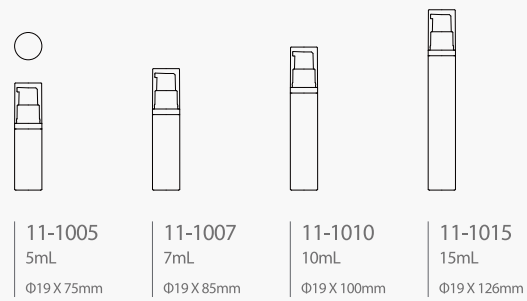


Part Material • Over Cap : PN • Button : AL • Shoulder : PN • Bottle : PN

D11

PP Mini Series

Various shapes and size for mini containers.



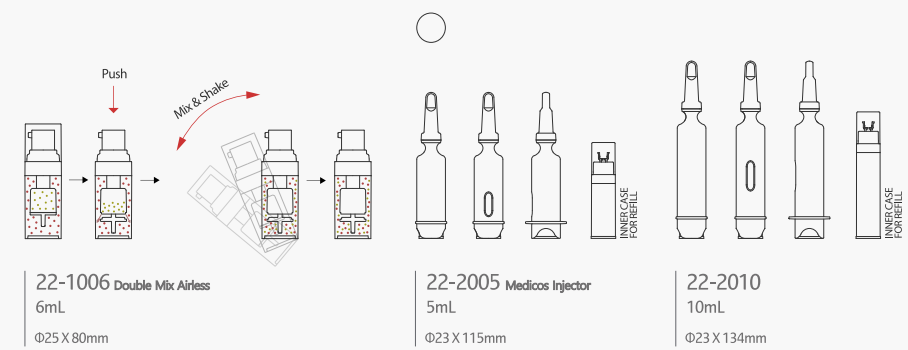
Part Material • Button : PP • Over Cap : PP • Shoulder : PP • Bottle : PP

D22

Double Airless / Medicos Injector

Elegant and premium containers as a dual structure.

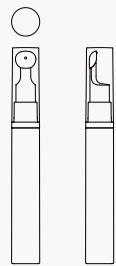
Mini and Medicos injector containers.



Part Material • Over Cap : PP/PN • Shoulder : PP • Out Bottle : PP/PN • Inner Bottle : PP • Button : PP/AL

D23

Eyebrow Airless Series



23-7015
15mL
Φ20X 149mm

Part Material • Over Cap : PP • Button : PP • Shoulder : PP • Bottle : PP



IMAGE D22 Medicos Injector



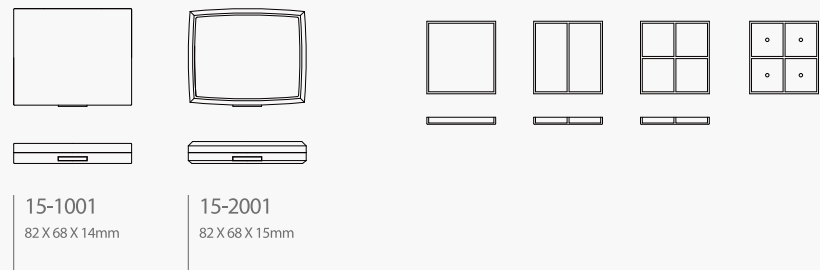
IMAGE D32 Lip Stick (Circle/Square)

COLOR COSMETIC

D15

Slim Compact Line

Powder Compact / Eye Shadow Palette



15-1001
82 X 68 X 14mm

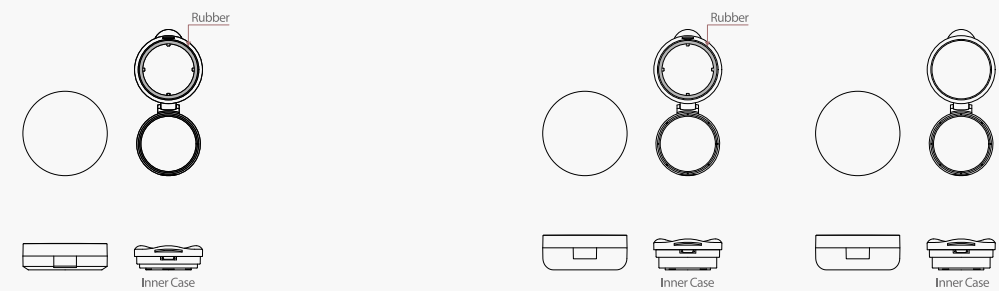
15-2001
82 X 68 X 15mm

Part Material • Upper Case : ABS • Cover : SAN • Lower Case : ABS • Pallet : PN • Button : ABS/PC

D21

Aircushion Series

Air-tight function by NBR gasket



Air Cushion 1
21 - 1108 (8mL Rubber Type)
21 - 1112 (12mL Rubber Type)
Φ74.6 X 24.6mm

Air Cushion 1-1
21-1008 (8ml)
21-1012 (12ml)
Φ74.6 X 24.6mm

Air Cushion 2
21-2016 (16ml Rubber Type)
21-2020 (20ml Rubber Type)
Φ74.6 X 30.8mm

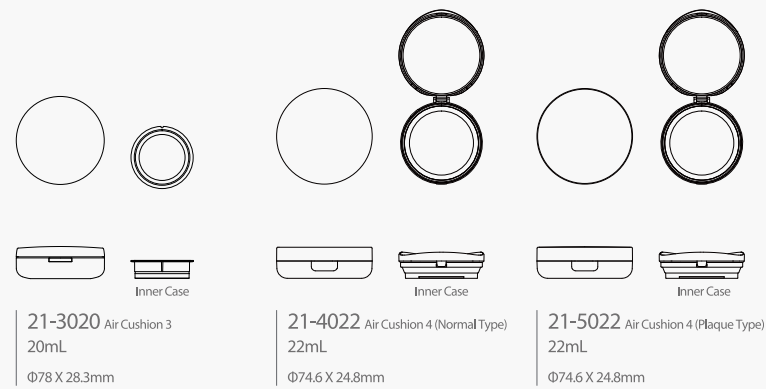
Air Cushion 2-1
21-2116 (16ml)
21-2012 (20ml)
Φ74.6 X 30.8mm

Part Material • Upper Case : ABS • Lower Case : ABS • Middle Frame : ABS • Push Button : PC/POM/ABS

D21

Airtight Compact Series

Ultimate solution for liquid foundation.
Available in 2 different types of basic and simple design compact case.
(Flat -top type / plaque type)



Part Material • Upper Case : ABS • Lower Case : ABS • Middle Frame : ABS • Push Button : PC/POM/ABS

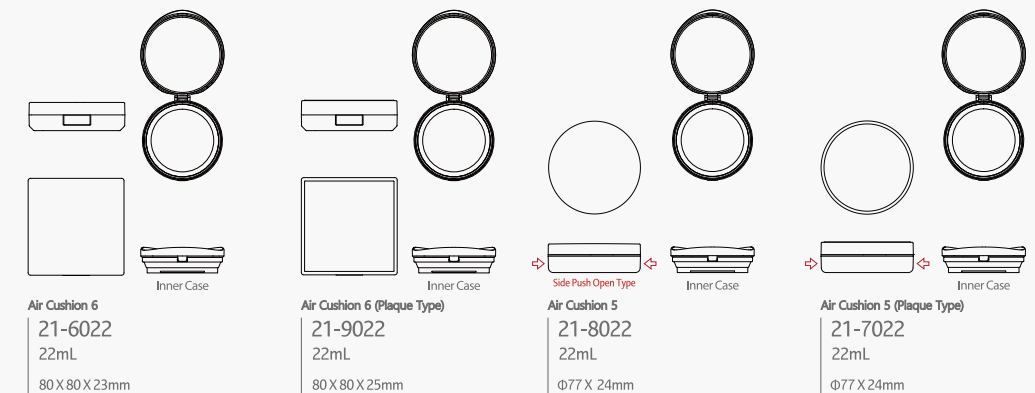
D21

Airtight Compact Series

Ultimate solution for liquid foundation.
Available in 2 different types of basic and simple design compact case.
(Flat -top type / plaque type)



-Button Integral Type- -Button Integral Type- -Side Push Open Type- -Side Push Open Type-

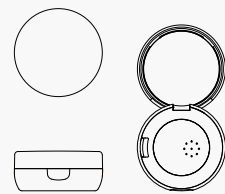


Part Material • Upper Case : ABS • Lower Case : ABS • Middle Frame : ABS

D31

Airless Compact Line (Side Type)

Unique actuating liquid compact especially for high viscous formula.



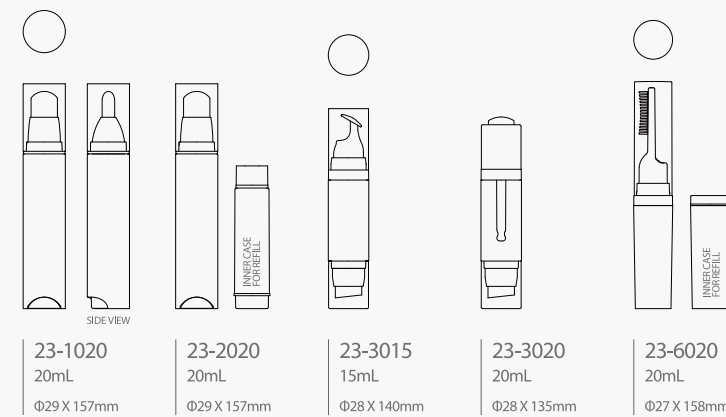
31-1013 Side Compact
13mL (15g)
Φ78 X 30 mm

Part Material • Upper Case : ABS • Lower : ABS • Middle Frame : PP • Push Button : ABS

D23

Foundation Applicator

Cream & liquid Foundation / Makeup base containers.
Sprit containers.



Part Material • Over Cap : SAN/PETG/PP • Botton : PP • Shoulder : PP • Bottle : PP/SAN • Button : ABS • Base : ABS

D16

Lip gloss Series

Lipgloss containers.



16-1008 8mL Φ14 X 116mm	16-7001 8mL Φ14 X 116mm	16-2008 8mL Φ14 X 116mm	16-6008 8mL Φ13.5 X 105mm	16-3008 8mL Φ16 X 116mm	16-4008 8mL Φ16 X 116mm	16-5004 4mL Φ12.5 X 102mm

Part Material • Over Cap : PP • Shoulder : PP • Bottle : PE(SURLYN)

D32

Lip Stick (Circle, Square : Regular / Ring Type)

One of the most popular design

Various appearances can be created with broad range of decoration



32-1001 3.2g Φ20.2 X 79mm	32-1002 3.2g Φ20.2 X 79mm	32-1003 3.2g (Metal Type) Φ20.2 X 79mm	32-2001 3.2g Φ21 X 75mm	32-3001 3.2g (Magnetic Type) Φ21 X 75mm

Part Material • Over Cap : ABS • Shoulder : ABS • Bottle : ABS



DOOCO COLLECTION







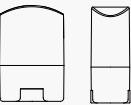
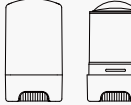
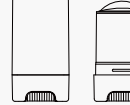
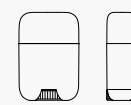
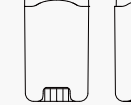
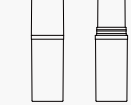
IMAGE D18 Stick Series

D18

Sticks Series

Dial-screw system can be applied for deodorant and stick-foundation.



					
					
18-1018 18mL 29.2X51.1X75.4mm	18-1020 20mL 26.9X44.5X81.1mm	18-4020 20mL 26.9X44.5X81.1mm	18-3016 16mL 48.7X24X70.6mm	18-3050 50mL 30.3X50.7X104.6mm	18-3010 10mL Φ25.6X98.6mm

Part Material • Over Cap : PP/PN • Inner Cap : PP • Handle : PP • Bottle : PP

D57

Dropper

New droppers using pump engine. It offers soft feel and accurate dosage.



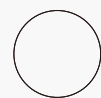
57-1020 Dropper
Φ24.5 X 86mm

Part Material • Dropper Shoulder : ABS • Dropper Button : ABS • Dropper Pipette : GLASS

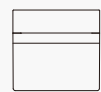
D12

Standard Cream Series

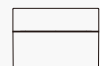
Introduced various types of jars, which has been the standard container type.



12-1030
30mL (Shoulder)
Φ60.5 X 43.5mm



12-1050
50mL (Shoulder)
Φ60.5 X 56.1mm



12-2030
30mL (Shoulder)
Φ60.5 X 43.5mm



12-2050
50mL (Shoulder)
Φ60.5 X 56.1mm

Part Material • Over Cap : ABS/PN • Inner Cap : ABS • Out Bottle : AS • Inner Bottle : PP

D17

Cream Jar Series

Introduced various types of jars, which has been the standard container type.

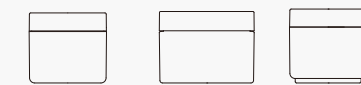


SINGLE JAR



17-1080 80mL Φ86.4 X 27mm	17-1100 100mL Φ86.4 X 31.2mm	17-1200 200mL Φ86.8 X 53mm	17-2065 65mL Φ60 X 50.8mm
---------------------------------	------------------------------------	----------------------------------	---------------------------------

DOUBLE JAR



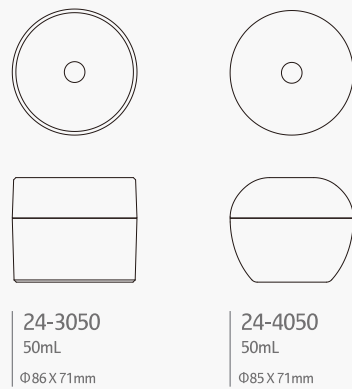
17-2075 75mL Φ60 X 54.5mm	17-3100 100mL Φ73.8 X 55.6mm	17-4075 75mL Φ60.2 X 57.5mm
---------------------------------	------------------------------------	-----------------------------------

Part Material • Over Cap : PP/SAN/ABS • Out Bottle : PP/SAN • Inner Bottle : PP

D24

Cream Jar Series

Introuced various types of jars, which has been the standard container type.



24-3050
50mL
Ø86 X 71mm

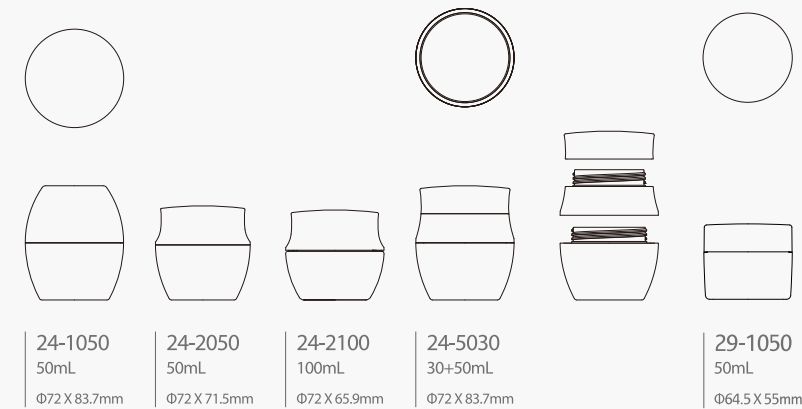
24-4050
50mL
Ø85 X 71mm

Part Material • Over Cap : PMMA • Inner Cap : PP • Out Bottle : PMMA • Inner Bottle : PP

D24/D29

Cream Jar Series

Introuced various types of jars, which has been the standard container type.



24-1050
50mL
Ø72 X 83.7mm

24-2050
50mL
Ø72 X 71.5mm

24-2100
100mL
Ø72 X 65.9mm

24-5030
30+50mL
Ø72 X 83.7mm

29-1050
50mL
Ø64.5 X 55mm

Part Material • Over Cap : PETG • Middle Cap : ABS • Inner Cap : PP • Bottle : SAN/PETG

D09

Pump Tube Series

Most popularized airless system



09-2035 ABL TYPE
09-3035
Ø35mm

09-7035 ABL TYPE
09-6035
Ø35mm

Part Material • Over Cap : PN • Button : PE/AL • Shoulder : ABS • Bottle : PE/AL

IMAGE D09 Pump Tube Series

D09

Pump Tube Series

Wide range of size from 30ml to 150ml and many decoration options are available.
Exclusively young and dynamic in design, form, color and finish.



Part Material • Over Cap : ABS / SAN / PN • Button : PP • Shoulder : ABS • Bottle : PE / AL

D09

Pump Tube Series

Most popularized airless system



Part Material • Over Cap : ABS/PN • Button : PP/AL • Shoulder : ABS/PP • Bottle : PE/AL

SERIES DESIGN



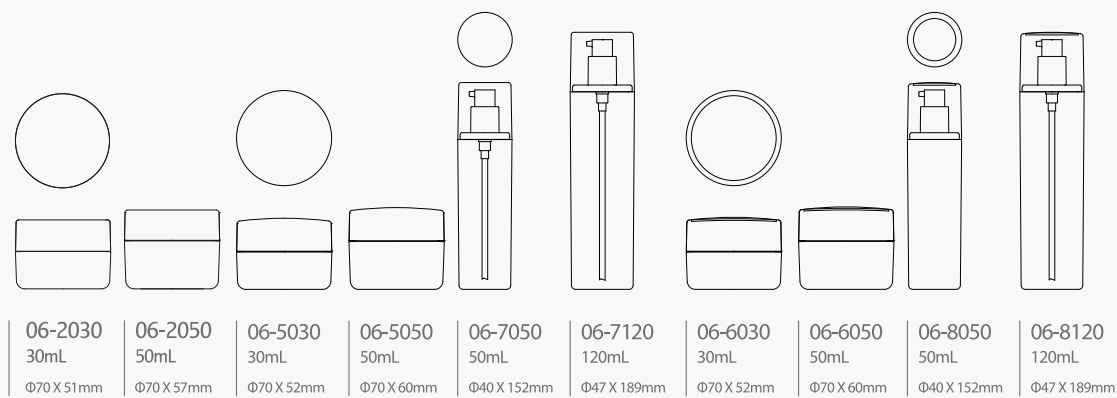
IMAGE D06 GL Series / D20 SET Series

D06

GL Series (Regular Jar / Plaque Jar)

Full line-up skincare series.

Various appearances can be created with broad range of decoration options.



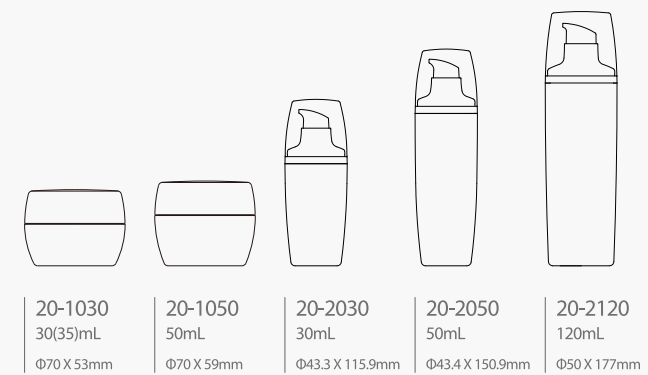
Part Material • Over Cap : PN/SAN • Button : PP/AL • Shoulder : ABS/PP/AL • Bottle : SAN

D20

Set Series (Double Wall)

Elegant and premium containers as a dual structure.

Full line-up including jars make your product line distinctive.



Part Material • Over Cap : PN • Inner Cap : ABS/PP • Out Bottle : SAN • Inner Bottle : PP • Shoulder : ABS

D20

Set Series (Double Wall)

Simple and basic with airless and dip -tube type. Wide ranges of options are available.



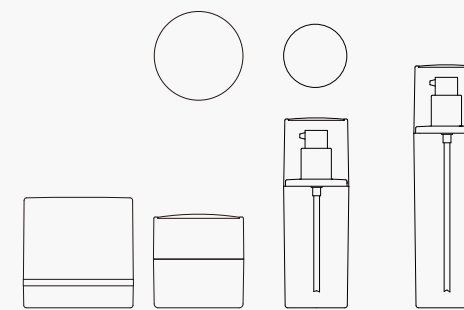
20-3030 30mL Φ43.3 X 113.8mm	20-3050 50mL Φ43.4 X 148.8mm	20-3120 120mL Φ50 X 173.6mm	24-2050 50mL Φ72 X 71.5mm
------------------------------------	------------------------------------	-----------------------------------	---------------------------------

Part Material • Over Cap : PN • Out Bottle : SAN • Inner Bottle : PP • Shoulder : ABS

D30

Double Wall Airless Series

New double wall airless container with simple and fabulous design.



30-1001 Cream Case Φ85.2 X 85.5mm	30-3050(75) 50(75)mL Φ69.9 X 72.4mm	30-2080 80mL Φ50.4 X 146.9mm	30-1140 140mL Φ50.4 X 187.9mm
---	---	------------------------------------	-------------------------------------

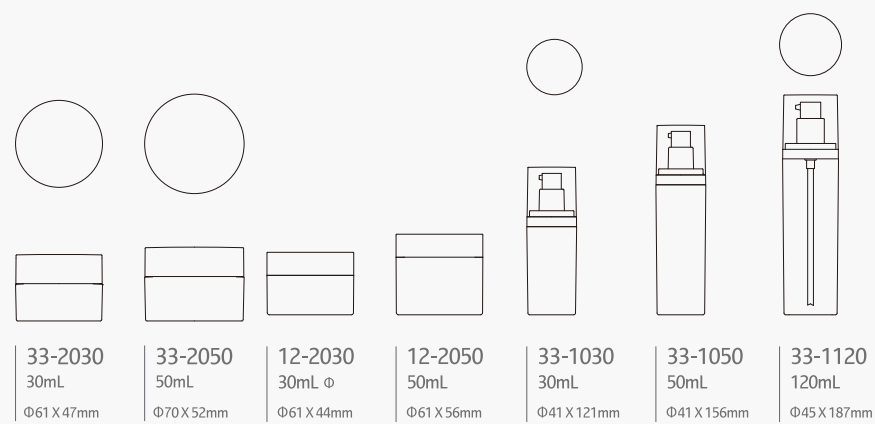
Part Material • Over Cap : PN • Inner Case : PP • Shoulder : PN/ABS • Out Bottle : SAN/PN • Inner Bottle : PP

D33

Basic Set (Regular Double Wall)

Full line-up skincare serie.

Various appearances can be created with broad range of decoration options.



Part Material • Over Cap : PN • Inner Cap : PP • Shoulder : ABS • Out Bottle : PN • Inner Bottle : PP/PETG

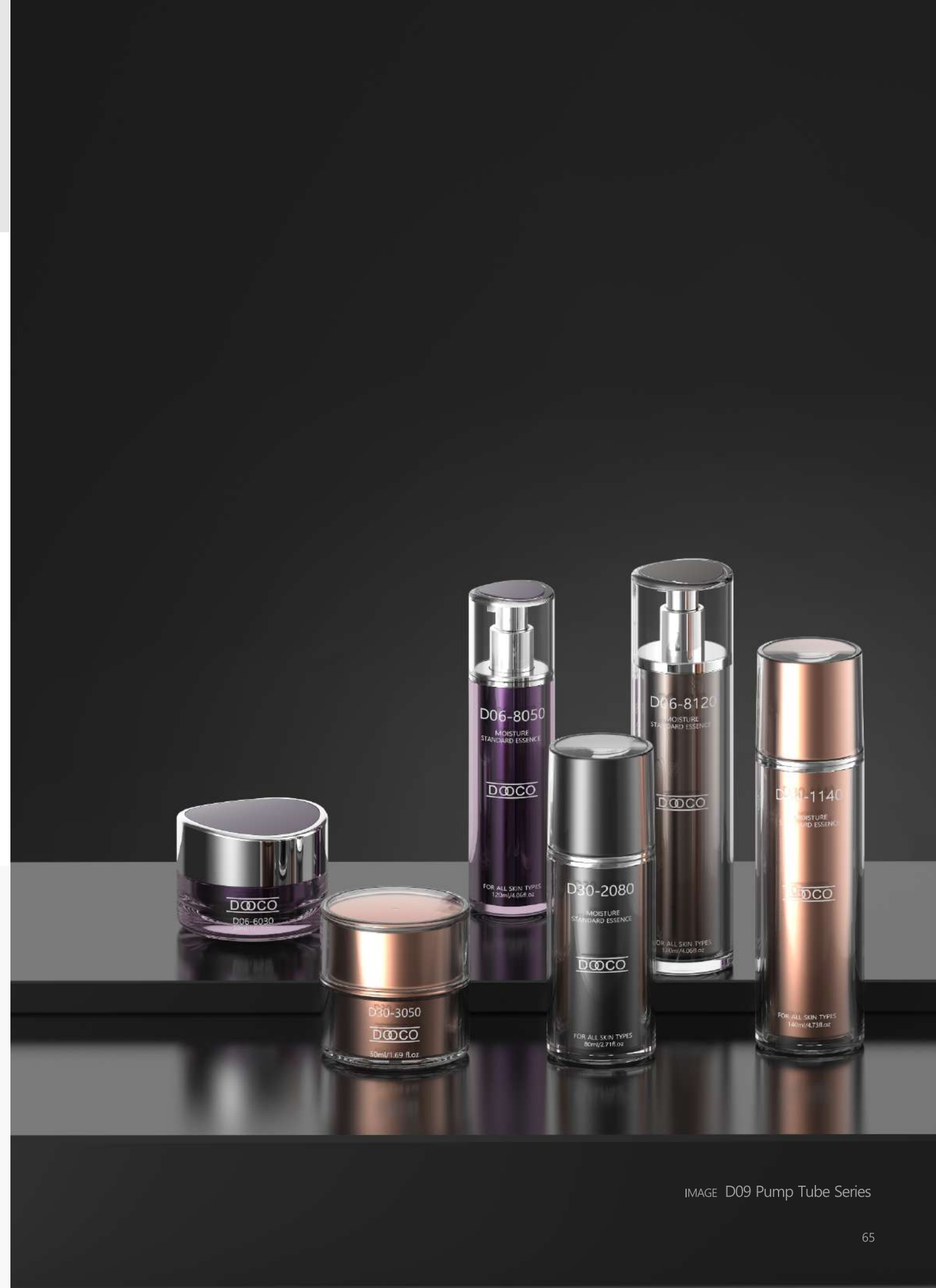
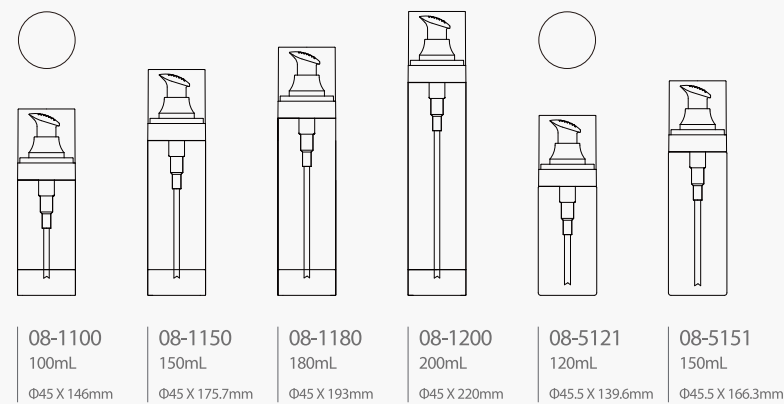


IMAGE D09 Pump Tube Series

D08

Blow Bottle Series (A)

Simple and basic with airless and dip-tube. Wide ranges of options are available.

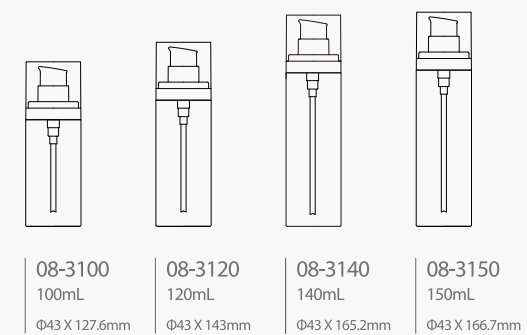


Part Material • Over Cap : SAN/ABS • Shoulder : ABS/PP • Bottle : PETG • Base : ABS

D08

Blow Bottle Series (B)

Simple and basic with airless and dip-tube. Wide ranges of options are available.

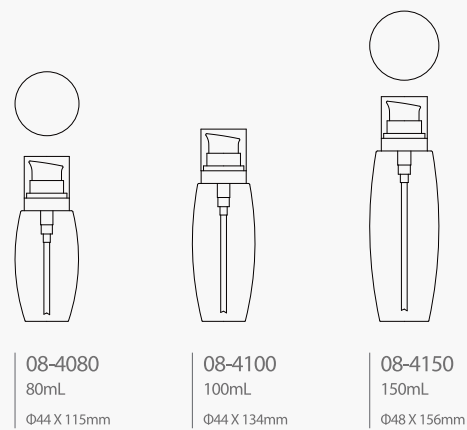


Part Material • Over Cap : SAN/ABS • Shoulder : ABS/PP • Bottle : PETG

D08

Blow Bottle Series (C)

Simple and basic with airless and dip-tube. Wide ranges of options are available.

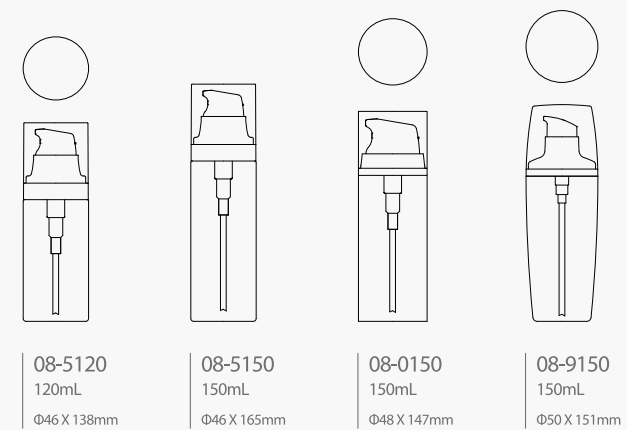


Part Material • Over Cap : PN • Shoulder : PN • Bottle : PETG

D08

Blow Bottle Series (E / J / T)

Simple and basic with airless and dip-tube. Wide ranges of options are available.

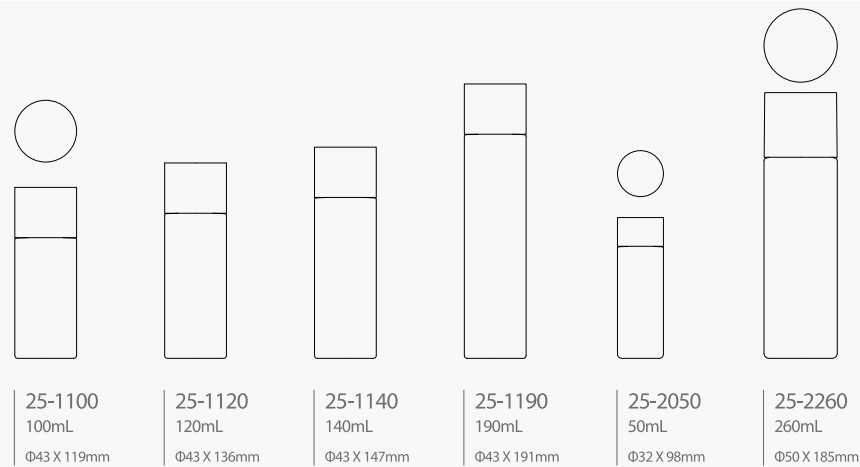


Part Material • Over Cap : ABS/SAN/PN • Shoulder : ABS/PP • Bottle : PETG

D25

Blow Bottle Series (Remover)

Simple look single wall bottle.

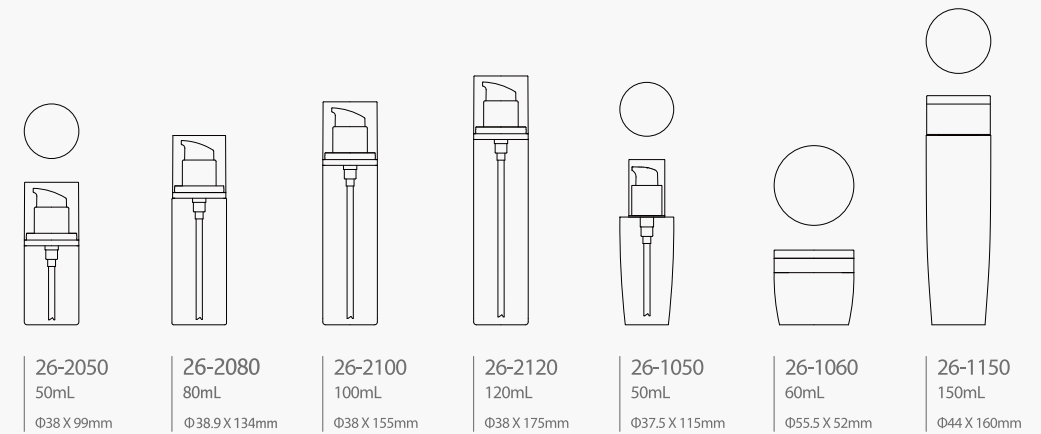


Part Material • Over Cap : ABS/PP • Bottle : PETG

D26

Blow Bottle Series

Simple and basic with dip -tube type. Wide ranges of options are available.

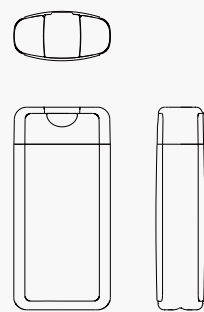


Part Material • Over Cap : PN/PP/AL • Button : PP/AL • Shoulder : ABS/AL • Bottle : PET/PETG

D27

Square Blow Bottle Series

Elegant with dip -tube type. Wide ranges of options are available.



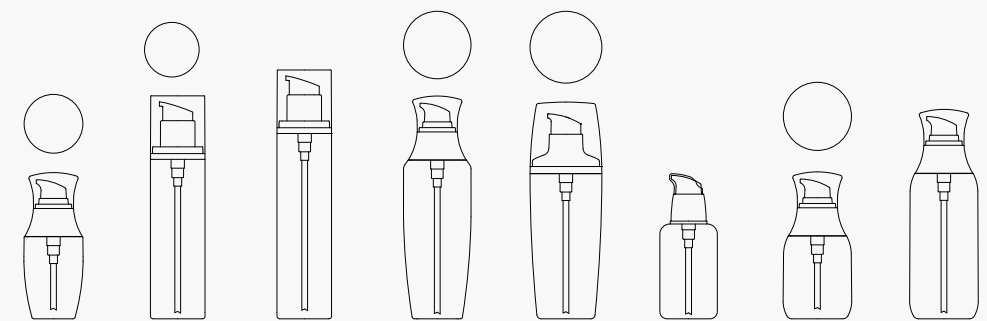
27-2300
300mL
79 X 40 X 165.5mm

Part Material • Over Cap : PP • Bottle : HDPE

D28

Heavy Blow Series

Simple and basic with dip -tube type. Wide ranges of options are available.



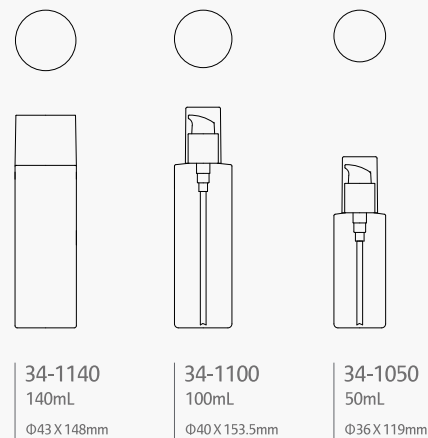
28-1050 50mL Φ41 X 103mm	28-1090 90mL Φ38 X 155mm	28-1110 110mL Φ38 X 173mm	28-1120 120mL Φ47 X 155mm	28-1140 140mL Φ50 X 150mm	28-2050 50mL Φ40 X 103mm	28-2080 80mL Φ50 X 103mm	28-2140 140mL Φ50 X 145mm
--------------------------------	--------------------------------	---------------------------------	---------------------------------	---------------------------------	--------------------------------	--------------------------------	---------------------------------

Part Material • Over Cap : PETG • Shoulder : ABS • Bottle : PETG

D34

Blow Bottle Series

Simple and basic with dip -tube type. Wide ranges of options are available.

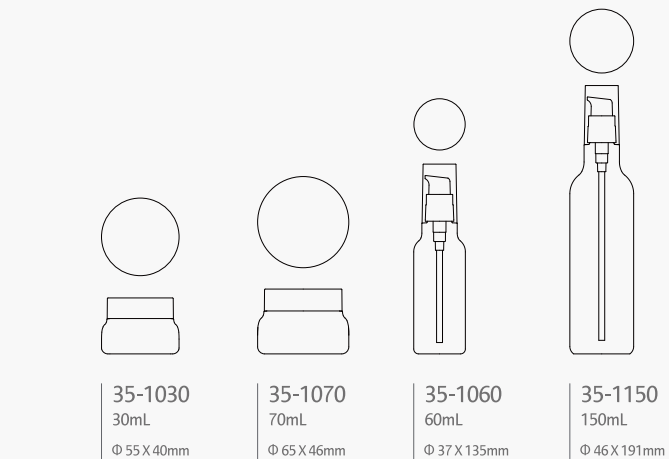


Part Material • Over Cap : PN/PP/AL • Button : PP/AL • Shoulder : ABS/PP/AL • Bottle : PET/PETG

D35

Jipa Blow Series

Elegant with dip -tube type. Wide ranges of options are available.



Part Material • Over Cap : ABS/PN • Button : PP • Shoulder : PP • Bottle : PETG



DISPENSERS

IMAGE F / J / G / E Pump

DISPENSERS

Various shape and size of dispensers for your own customized designs.

D50



D51



D51



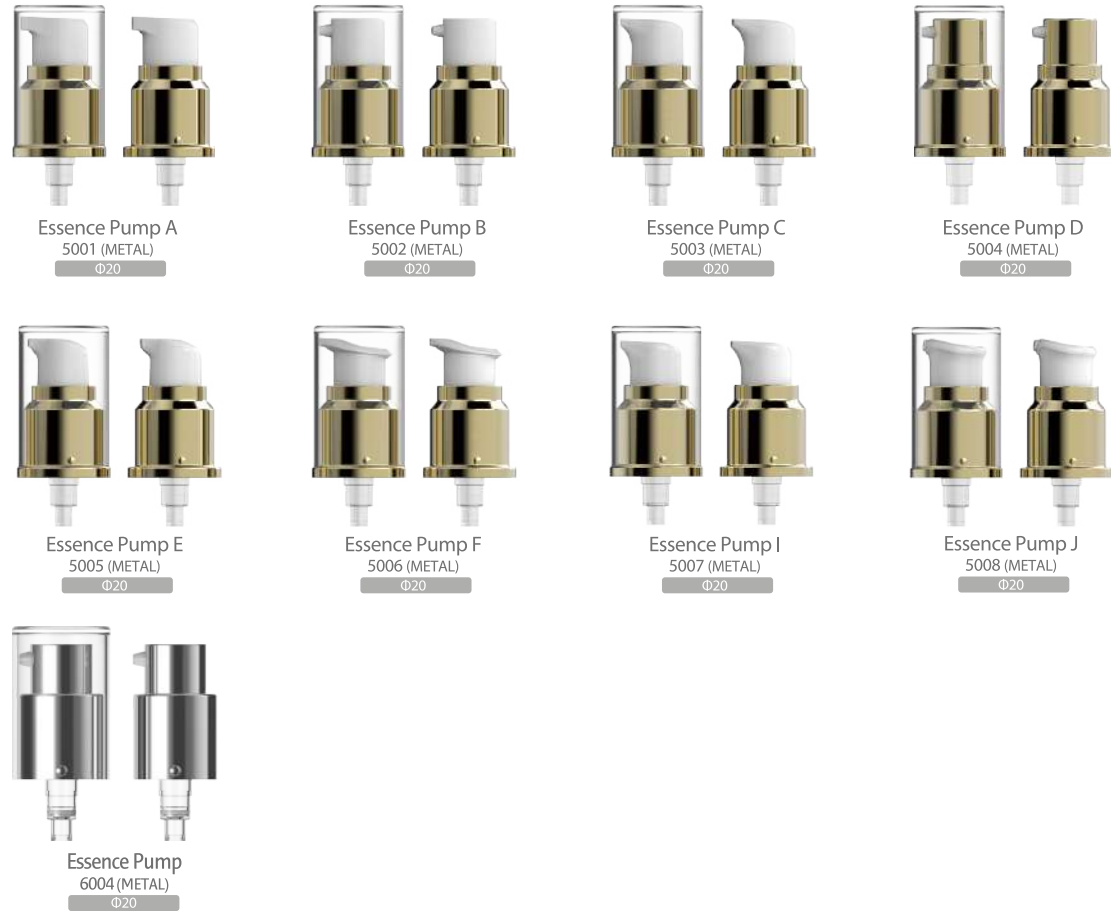
D52



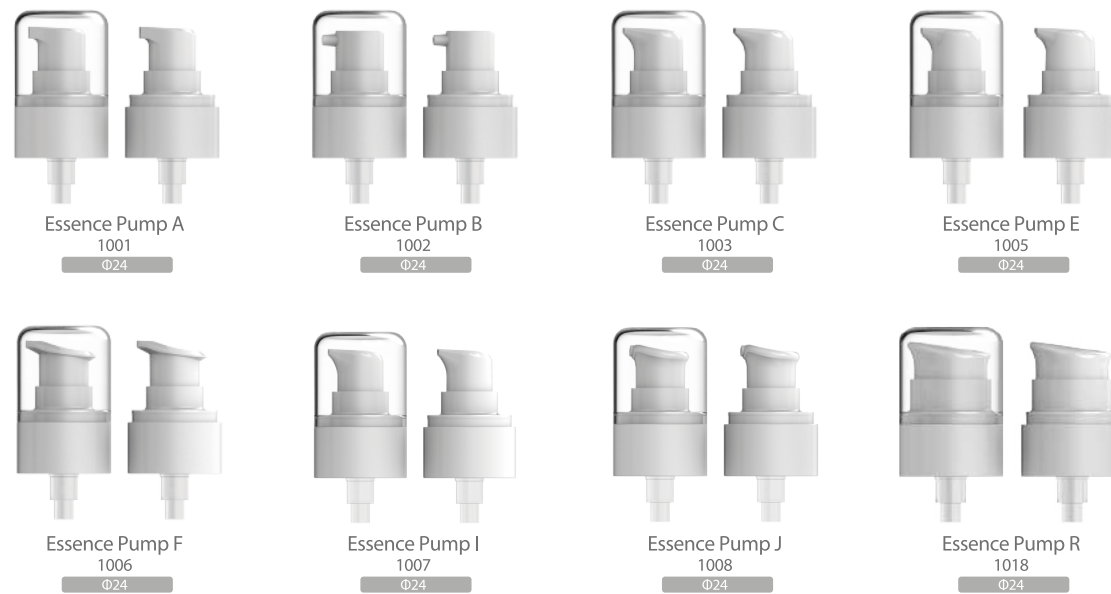
DISPENSERS

Various shape and size of dispensers for your own customized designs.

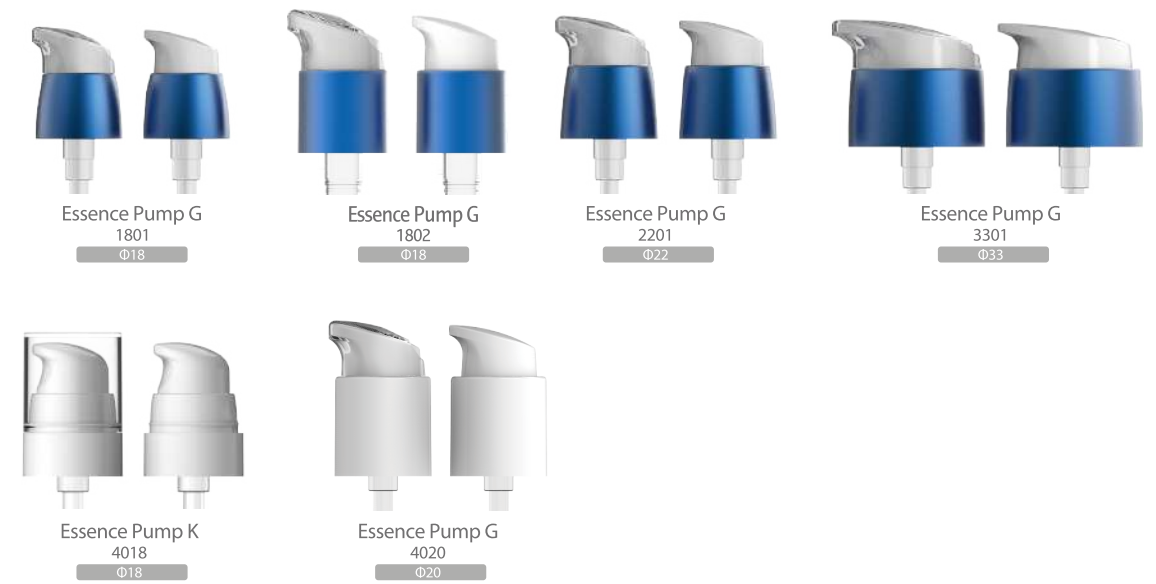
D52



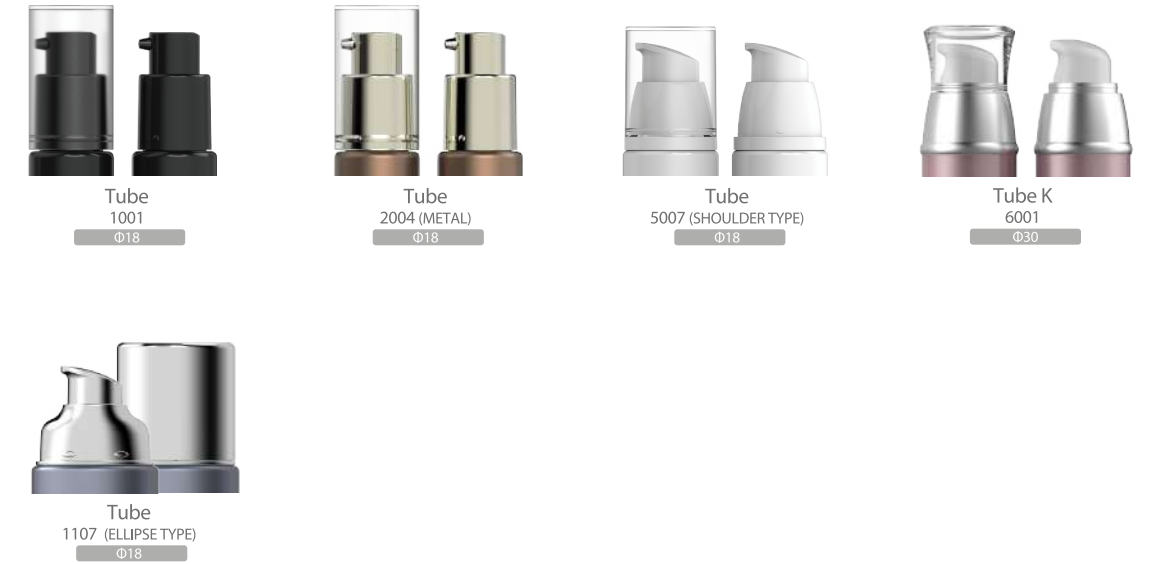
D53



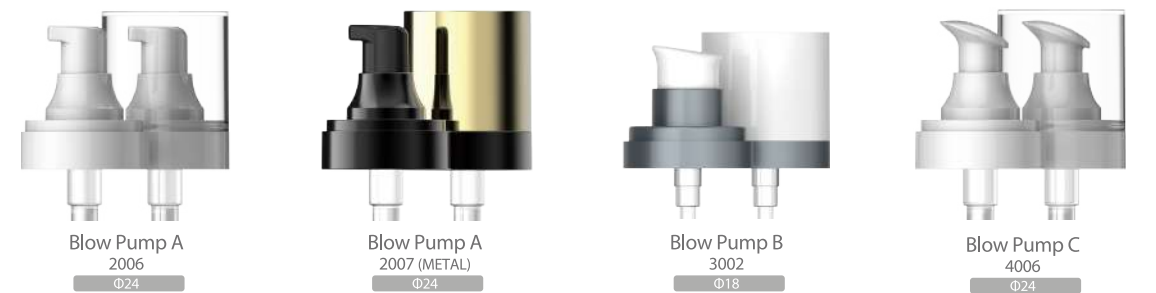
D54



D55



D56



DISPENSERS

Various shape and size of dispensers for your own customized designs.

D56



Blow Pump E
5006
Φ24



Heavy Blow Pump
1502
Φ18



Heavy Blow Pump
1602
Φ18



0.6 Pump O
7006
0.6cc



0.6 Pump H
8006
0.6cc



Oil Pump I
9006
Φ24



Oil Pump SI
9007
Φ24



Essence Pump
1701
Φ18



Essence Pump
1702
Φ18

MEMO



12, Ddam 8-ro, Seo-gu, Incheon, 22667, Republic of Korea
Tel. 82-32-543-9966 Fax. 82-32-543-9967
E-mail. doocotra@naver.com
www.dooco.co.kr

Information in this catalogue can be changed without notice.